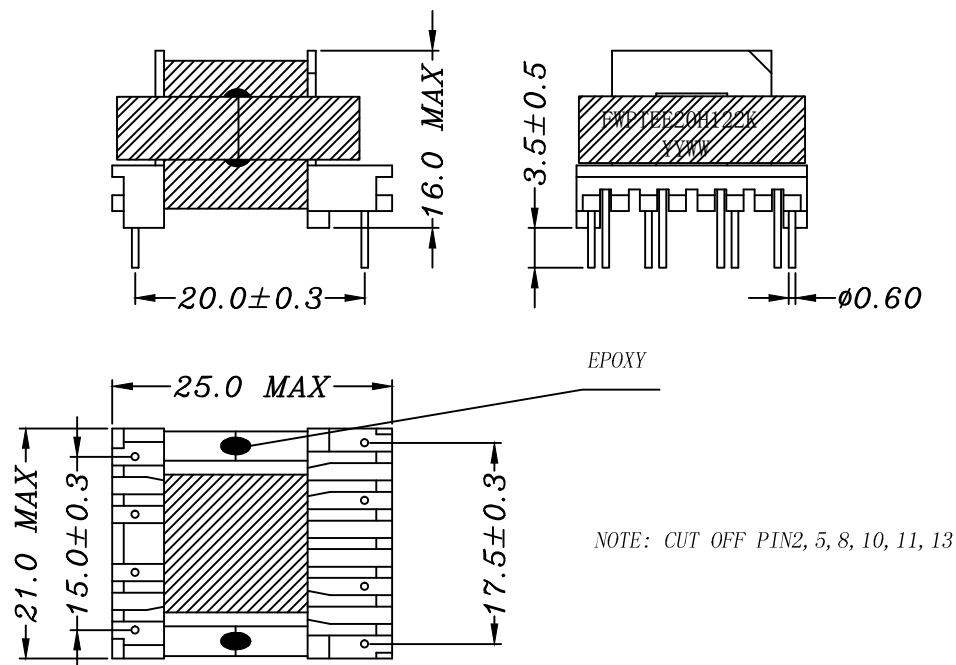


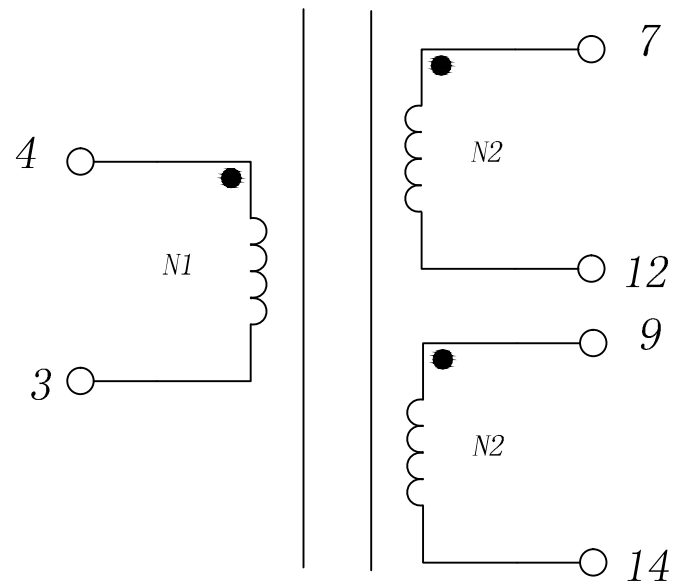
CUSTOMER TERMINAL	ROHS	Lead (Pb) -free
	YES	YES



### 1. Mechanical Dimensions



### 2. Schematic Diagram



### 3. Material List

Core:FW40-EE20  
 Bobbin: FWP2027(6+8PIN)  
 Wire:2UEW TIW-B  
 Operating Temperature: -30 to 115°C

### 4. Electrical Specification

Inductance:  $L(4-3) = 1.16mH \pm 10\%$  10.0KHZ 0.05V  
 Hi-pot: P-S=AC 4.0KV 2S 3mA 50Hz  
 LK:L(4-3) < 50uH short other pins

REV.	DATE	 Convention Placement	DRW.	Drawing Title: <b>TRANSFORMER</b>	Part No:
0	06/01		CHK.		Customer P/N:
		www.ferriwo.com	APP.		Specification Sheet 1 of 1